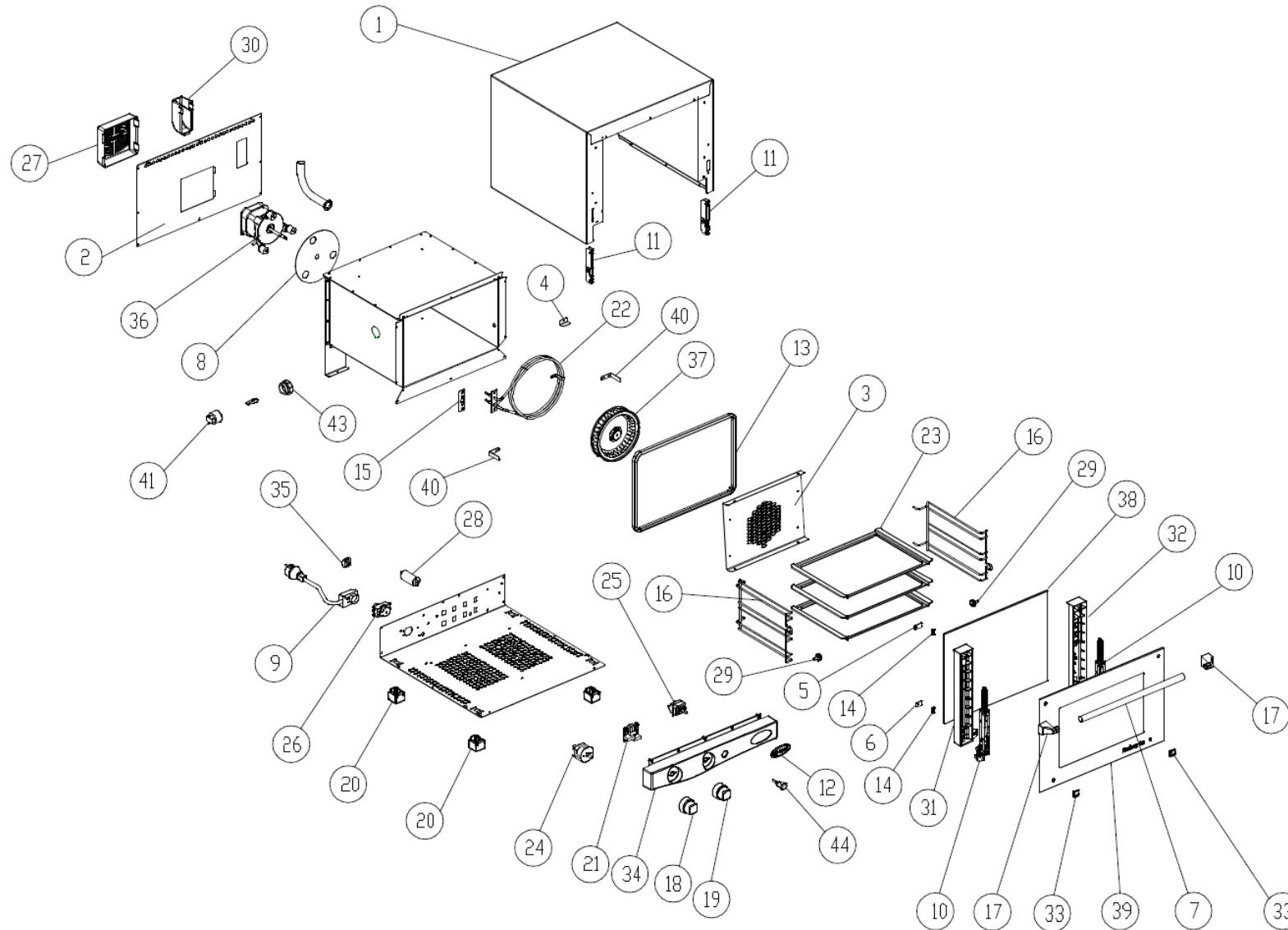


# MOD: XF003

## EXPLODED VIEW DISEGNO



### LEGEND - LEGENDA

1	0D1575C0
2	0F1420A1
3	0G1210A0
4	0H3330A0
5	0H3110A1
6	0H3111A1
7	0H3200B0
8	0H3585A0
9	CE116A1
10	CR1055A0
11	CR1070A0
12	ED1070A0
13	GN1225A0
14	GN1240A0
15	GN1326A0
16	GRL1080B0
17	MG1015B0
18	MN1100A1
19	MN1101A2
20	PD1001A0
21	TM1000C0
22	RS010
23	TG205
24	TM1005A0
25	TR006
26	TR254
27	VM1952A1
28	VE1145A0
29	VI1035A1
30	VM1065A0
31	VM1370A0
32	VM1371A0
33	VM1380B0
34	VM1385B0
35	VM250
36	VN1035B1
37	VN1110A0
38	VT1145A0
39	VT1146A1
40	OG1231A0
41	VE1480A0
43	VT1200A0
44	LP1005A0

# MOD: XF003

## EXPLODED VIEW DISEGNO



### DESCRIZIONE CODICI

1	0D1575C0	MANTELLINO INOX L. MICRO ROBERTA
2	OF1420A1	SCHIENA ZINCATA L. MICRO ROBERTA
3	0G1210A0	CARTER ARIA INOX L. MICRO ROBERTA
4	0H3330A0	ALETTA CONVOGLIATRICE AISI 430
5	0H3110A1	PIASTRINA SUPERIORE FERMA VETRO
6	0H3111A1	PIASTRINA INFERIORE FERMA VETRO
7	0H3200B0	TUBO MANIGLIA D-EST-18 SP-1 L-388
8	0H3585A0	LAMIERA PROTEZIONE MOTORE ZINCATO L.M.
9	CE116A1	CAVO 3x1,5 H07RN-F MT1,5-K2/3-SCHUKO
10	CR1055A0	CERNIERA PORTA FORNO RIBALTA L.C.
11	CR1070A0	ATTACCO CERNIERA PORTA FORNO RIBALTA
12	ED1070A0	ETICHETTA UNOX ELLISSE 78x33 ARGENTO
13	GN1225A0	GUARNIZIONE L. MICRO ROBERTA
14	GN1240A0	GUARNIZIONE COLONNINA-VETRO SILICONE
15	GN1326A0	GUARNIZIONE RES. 70X22X0,8
16	GRL1080B	GRIGLIA LATERALE DX/SX CROMATA
17	MG1015B0	TERMINALE MANIGLIA L.MISS/L.MICRO/CHEFTOP
18	MN1100A1	MANOPOLA SERIGR. TIMER 0-60 MIN L. MICRO
19	MN1101A2	MANOPOLA SERIGR. TERMOSTATO 80-300 °C
20	PD1001A0	PIEDINO 35X35 H26 PLASTICA+GOMMA GRIGIO
21	TM1000C0	SUONERIA ELETTRONICA 15 SEC 230V
22	RS010	RES.CIRCOLARE 2560W 220-230 V
23	TG205	TEGLIA 342X242 PIANA ALLUMINIO
24	TM1005A0	TIMER MI2 60 MIN 250V 16A
25	TR006	TERMOSTATO 50-295 °C 55.19052.861
26	TR254	TERM.SIC. BIP. 335 °C RIARMO MANUALE
27	VM1952A1	CUFFIA COPRI MOTORE IN PLASTICA
28	VE1145A0	CONDENSATORE 3,5 µF 450 V ac 50/60 Hz
29	VI1035A1	NOTTOLINO M6x12,5 CON TAGLIO OTT.CROM.FE
30	VM1065A0	CUFFIA COPRI CAMINO FUMI L.M.
31	VM1370A0	COLONNINA SX PORTA L. MICRO ROBERTA-LISA
32	VM1371A0	COLONNINA DX PORTA L. MICRO ROBERTA-LISA
33	VM1380B0	TAPPO FISSAGGIO VETRO-PORTA L. MICRO
34	VM1385B0	CRUSCOTTO COMANDI L. MICRO ROBERTA
35	VM250	MORSETT. A PETTINE
36	VN1035B1	MOTORE SISME 230 VAC LINE MISS
37	VN1110A0	VENTOLA Ø162 H= 32 32 PALE INOX
38	VT1145A0	VETRO INTERNO 392X292X4 BETFL
39	VT1146A1	VETRO ESTERNO SER. 470X312X4 CHIARO
40	0G1231A0	DISTANZIALE CARTER INOX XF023
41	VE1480A0	GRUPPO LAMPADA 230V-25W
43	VT1200A0	VETRO COPRI LAMPADA BOROSILICATO L.MICRO
44	LP1005A0	LUCE SPIA FLUORO 230V

### DESCRIPTION

1	0D1575C0	ZINCATED BACK PANEL L. MICRO ROBERTA
2	OF1420A1	ZINCATED BACK PANEL L. MICRO ROBERTA
3	0G1210A0	STAINLESS STEEL FAN GUARD L. MICRO
4	0H3330A0	AISI 430 CONVEYOR FLAP L. MICRO ROBERTA
5	0H3110A1	STAINLESS STEEL UPPER PLATE TO
6	0H3111A1	STAINLESS STEEL LOWER PLATE TO
7	0H3200B0	
8	0H3585A0	ZINCATED MOTOR GUARD PLATE L.M.
9	CE116A1	EL.CABLE 3x1,5 H07RN-F MT1,5-K2/3-SCHUKO
10	CR1055A0	HINGE L.C. ROBERTA
11	CR1070A0	HINGE LATCH L. C.
12	ED1070A0	UNOX ELLIPTICAL STICKER 78x33-SILVER
13	GN1225A0	L. MICRO ROBERTA DOOR GASKET
14	GN1240A0	BLACK SILICON SEAL FOR COLUMN-GLASS
15	GN1326A0	
16	GRL1080B	XF003 L/R CHROMIUM PLATED LAT. GRID
17	MG1015B0	L.MISS/L.MICRO/CHEFTOP HANDLE END
18	MN1100A1	L.MICRO 0-60 MINUTES TIMER KNOB
19	MN1101A2	80-300 °C THERMOSTAT KNOB
20	PD1001A0	FOOT 35X35 H26 GREY PLASTIC+RUBBER
21	TM1000C0	
22	RS010	CIRC.HEAT. ELEMENT 2560W - 220-230 V
23	TG205	TRAY 342x242 FLAT ALUMINIUM
24	TM1005A0	TIMER MI2 60 MIN 250V 16A
25	TR006	THERMOSTAT 50-295 °C 55.19052.861
26	TR254	SECURITY THERMOSTAT BIP. 335 °C
27	VM1952A1	PLASTIC COVER FOR MOTOR L.M. CRI-STE-ARI
28	VE1145A0	CONDENSER 3.5 µF 450 V ac 50/60 Hz
29	VI1035A1	CHROMIUM PLATED BRASS NUT M6x12,5
30	VM1065A0	PLASTIC COVER FOR FUMES CHIMNEY L.M.
31	VM1370A0	LEFT DOOR COLUMN L. MICRO ROBERTA-LISA
32	VM1371A0	RIGHT DOOR COLUMN L. MICRO ROBERTA-LISA
33	VM1380B0	L.MICRO GLASS-DOOR FIXING CAP
34	VM1385B0	CONTROL PANEL L. MICRO ROBERTA
35	VM250	"COMB" TERMINAL BOARD
36	VN1035B1	
37	VN1110A0	STAINLESS STEEL FAN Ø162 H= 32 32 FLAPS
38	VT1145A0	INNER GLASS 392x292x4 BETFL L.
39	VT1146A1	SERIGR. EXTERNAL GLASS 470x312x4
40	0G1231A0	
41	VE1480A0	230V-25W LAMP SET
43	VT1200A0	L.MICRO LAMP COVER BOROSILICATE GLASS
44	LP1005A0	